



US010634177B2

(12) **United States Patent**
Winn

(10) **Patent No.:** **US 10,634,177 B2**

(45) **Date of Patent:** ***Apr. 28, 2020**

(54) **PRECURSOR FOR A FURRING CHANNEL CLIP, FURRING CHANNEL CLIP FORMED THEREFROM, METHOD OF MAKING A FURRING CHANNEL CLIP, AND METHOD OF MOUNTING A FURRING CHANNEL TO A LOAD BEARING MEMBER**

(58) **Field of Classification Search**
CPC F16B 7/0473; F16B 7/0493; F16B 7/0446; E04B 9/18; E04B 9/16; E04B 9/26; (Continued)

(71) Applicants: **Brandon C. Winn**, Robbinsville, NJ (US); **Ken Huber**, Seattle, WA (US)

(56) **References Cited**

U.S. PATENT DOCUMENTS

(72) Inventor: **Brandon C. Winn**, Robbinsville, NJ (US)

940,609 A * 11/1909 Newberry E04B 1/2403 403/217
1,130,722 A * 3/1915 Fletcher E04B 2/58 52/355

(73) Assignees: **Brandon C. Winn**, Robbinsville, NJ (US); **Ken Huber**, Seattle, WA (US)

(Continued)

FOREIGN PATENT DOCUMENTS

(*) Notice: Subject to any disclaimer, the term of this patent is extended or adjusted under 35 U.S.C. 154(b) by 0 days.

DE 433500 C2 6/1998
DE 10249783 B3 * 1/2004 E04B 9/16
(Continued)

This patent is subject to a terminal disclaimer.

OTHER PUBLICATIONS

(21) Appl. No.: **16/544,069**

Web pages of Suspended Ceiling Accessories C Channel Furring Channel from Shenzhen Pennon Decoration Materials Co., Ltd. dated May 21, 2009, <https://szpennon.en.alibaba.com/product/236615839-802455399>.

(22) Filed: **Aug. 19, 2019**

(Continued)

(65) **Prior Publication Data**

US 2019/0368525 A1 Dec. 5, 2019

Related U.S. Application Data

(63) Continuation of application No. 16/058,586, filed on Aug. 8, 2018, now Pat. No. 10,385,896, which is a (Continued)

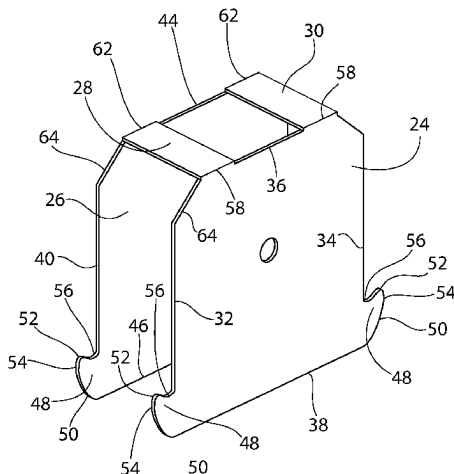
Primary Examiner — Ryan D Kwiecinski
Assistant Examiner — Matthew J Gitlin
(74) *Attorney, Agent, or Firm* — Caesar Rivise, PC

(51) **Int. Cl.**
F16B 7/04 (2006.01)
E04B 1/41 (2006.01)
(Continued)

(57) **ABSTRACT**
Disclosed is a precursor for a clip and a clip formed by the precursor. The clip is configured for mounting a furring channel to a load-bearing member and is a generally U-shaped member having a pair of sidewalls, each of which includes a pair of tabs projecting therefrom. The clip is arranged to receive the load-bearing member between its sidewalls, such that the tabs can be snap-fit under inwardly directed flanges of the furring channel. Also disclosed is a method of forming the clip from the precursor, by bending portions of the precursor to form the sidewalls of the clip,

(52) **U.S. Cl.**
CPC **F16B 7/0473** (2013.01); **E04B 1/40** (2013.01); **E04B 9/065** (2013.01); **E04B 9/16** (2013.01);
(Continued)

(Continued)



and a method for mounting a furring channel onto a load-bearing member using the clip.

15 Claims, 4 Drawing Sheets

Related U.S. Application Data

continuation of application No. 15/641,730, filed on Jul. 5, 2017, now Pat. No. 10,060,460.

- (51) **Int. Cl.**
E04B 9/18 (2006.01)
E04B 9/06 (2006.01)
E04B 9/16 (2006.01)
E04B 1/38 (2006.01)
- (52) **U.S. Cl.**
 CPC *E04B 9/18* (2013.01); *E04B 9/183* (2013.01); *E04B 2001/405* (2013.01)
- (58) **Field of Classification Search**
 CPC . E04B 9/12; E04B 9/122; E04B 9/125; E04B 1/40; E04B 2001/405; E04B 1/2403; E04B 2001/2415; E04B 2001/2448; E04B 2/58; E04F 13/0805; E04F 13/0812
 USPC 52/712, 714, 715, 235, 655.1
 See application file for complete search history.

(56) **References Cited**

U.S. PATENT DOCUMENTS

2,181,885 A * 12/1939 Goldsmith E04B 1/5818
 403/394
 4,245,446 A * 1/1981 Judkins E04B 9/26
 52/1
 4,572,694 A * 2/1986 Hoeksema E04B 2/766
 403/187
 5,716,155 A * 2/1998 Yoshida B62D 23/005
 403/187
 2003/0089069 A1* 5/2003 Babich E04B 1/2403
 52/693
 2006/0255225 A1* 11/2006 Nicoletti E04B 2/766
 248/316.7

2009/0003929 A1* 1/2009 Rudduck B64D 11/0696
 403/348
 2014/0003861 A1* 1/2014 Cheung H02S 20/23
 403/291
 2014/0093307 A1* 4/2014 Zhang F16B 9/023
 403/188
 2015/0337538 A1* 11/2015 Florenske E04F 13/0812
 52/481.1
 2016/0215494 A1* 7/2016 Pilz E04B 2/02
 2017/0044767 A1* 2/2017 Gloftis E04B 9/183

FOREIGN PATENT DOCUMENTS

DE 202014101153 U1 * 5/2014
 EP 1413692 B1 12/2009
 EP 2369082 A2 * 9/2011 E04B 9/16
 FR 2971524 A1 * 8/2012 E04B 1/5818

OTHER PUBLICATIONS

Web pages of Light Gage Steel Frame/Structure from Beijing Hyperst Import & Export Trade Co., Ltd., date unknown, <http://m.afrtrade.com/4619479/6880?4619479.html>.
 Web pages of Alibaba SuspensionCeiling_FurringChannelBracket from EU-Baustoffhandel, date unknown, www.eu-baustoffhandel.de/Kreuzverbinder.
 Web pages of Wenan Hongfa Pipe Co., Ltd. showing Suspension Ceiling Accessories furring channel clip/furring channel bracket, date unknown, www.hbhfzg.com.
 Web pages of Shenzhen Pennon Decoration Material showing C Channel Clip Carrier Channel Gypsum Drywall Profiles Steel Profile, dated: Feb. 9, 2009; May 21, 2009; and Dec. 8, 2006, szpennon.en.alibaba.com.
 Web pages of Shenzhen Pennon Decoration Material showing C Channel Clip Carrier Channel Gypsum Drywall Profiles Steel Profile dated Feb. 9, 2009; May 21, 2009; Dec. 8, 2006, szpennon.en.alibaba.com.
 Web page of EU-Baustoffhandel, date unknown, www.eu-baustoffhandel.de/Kreuzverbinder.
 Web page of ClarkDietrich Building Systems showing Metal Furring Channel Clips (MFCC), date unknown, <https://www.clarkdietrich.com/products-specialty-clips-connectors/metal-furring-channel-clips-mfcc>.

* cited by examiner

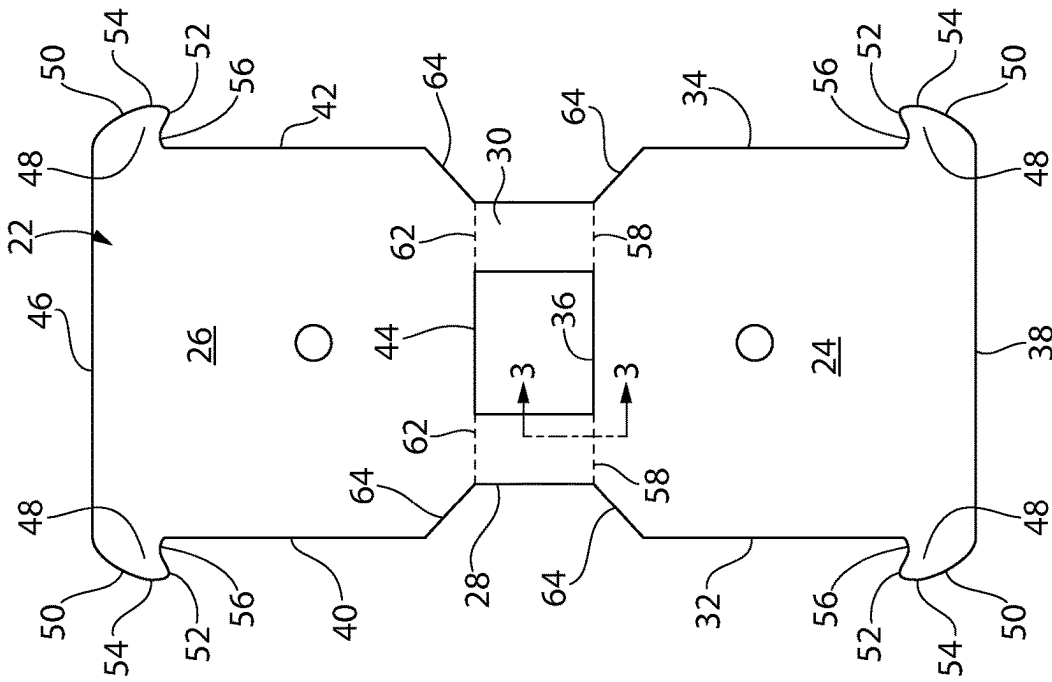


FIG. 1

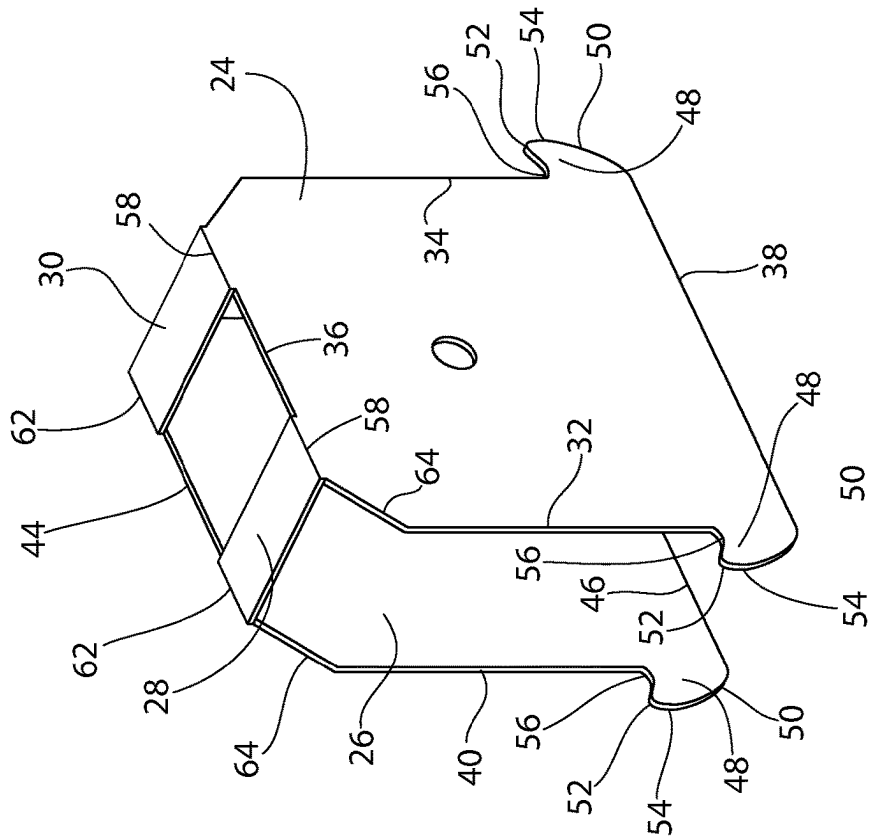


FIG. 2

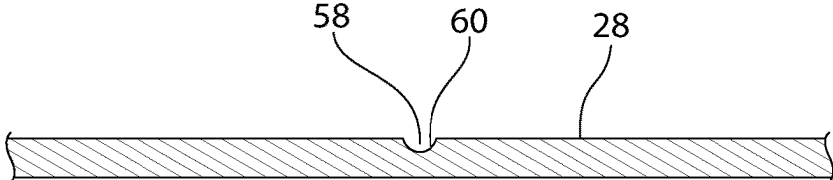


FIG. 3

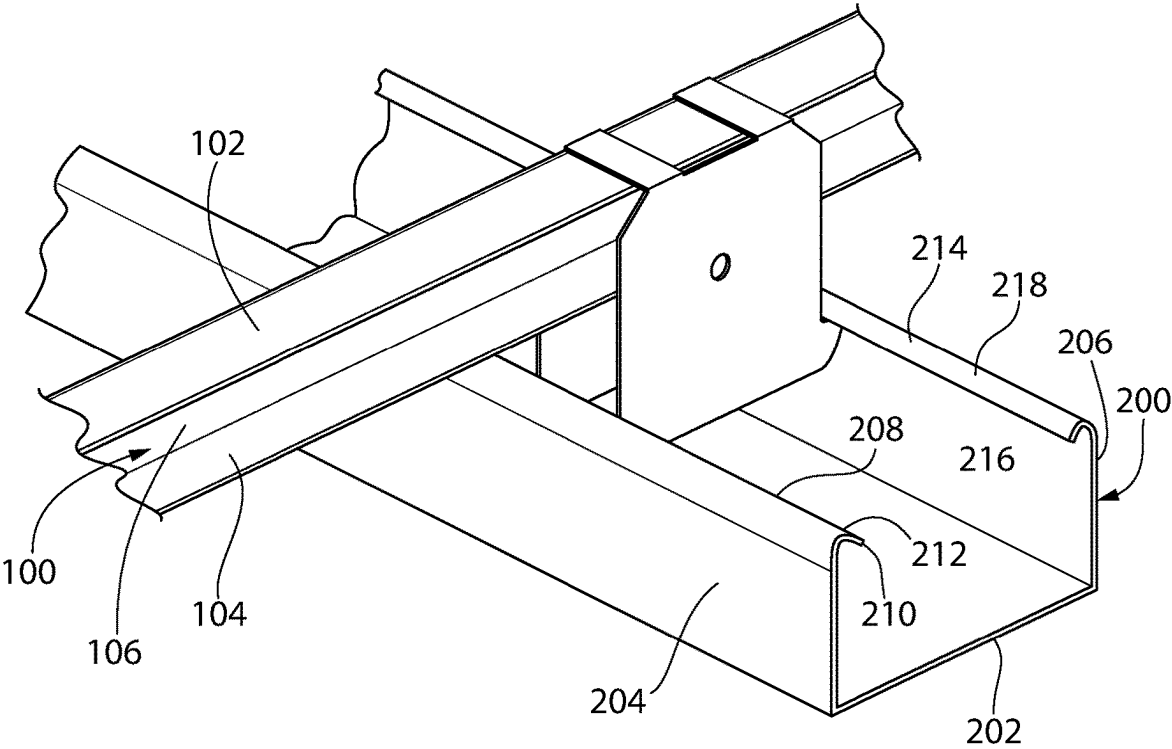


FIG. 4

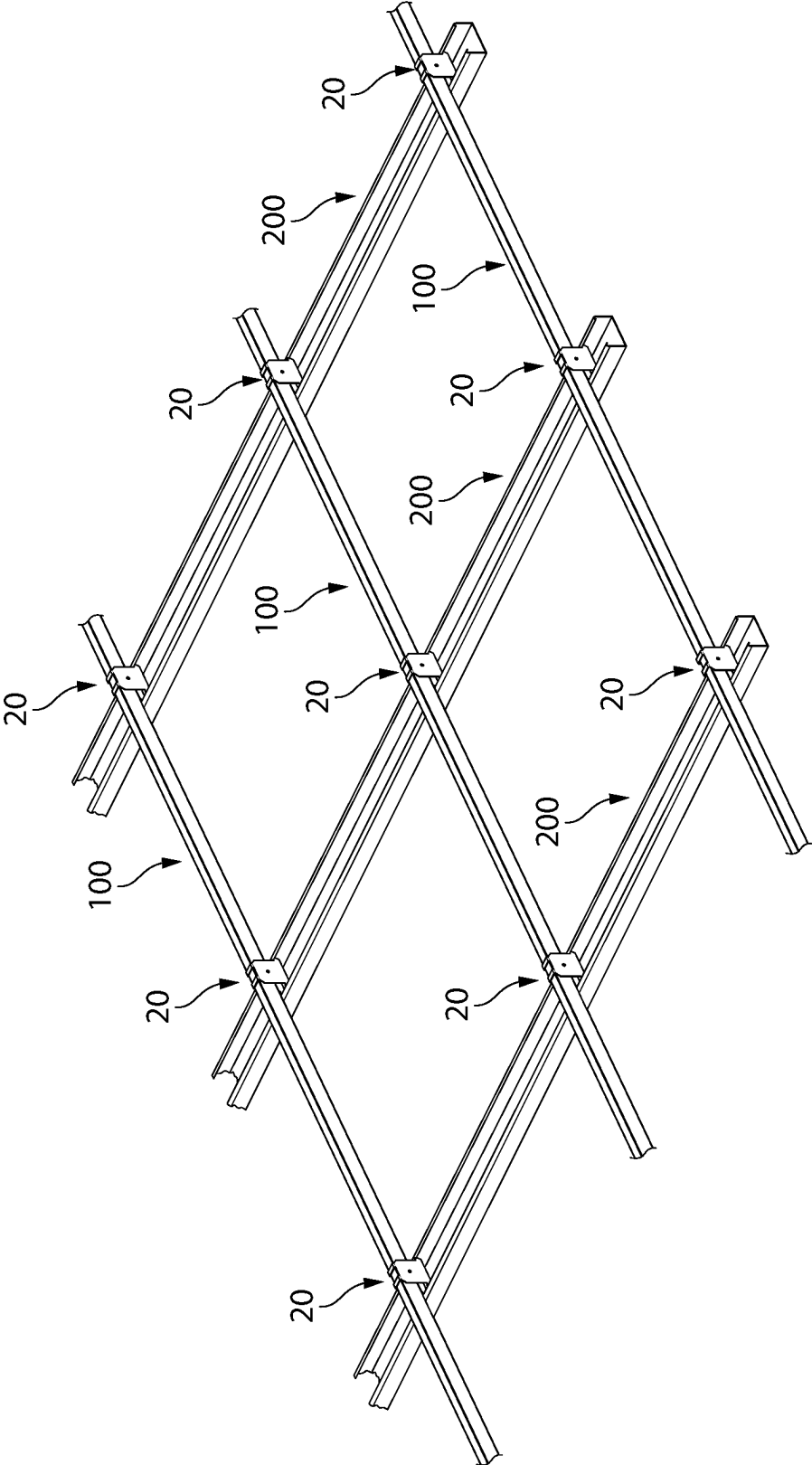


FIG. 8

1

**PRECURSOR FOR A FURRING CHANNEL
CLIP, FURRING CHANNEL CLIP FORMED
THEREFROM, METHOD OF MAKING A
FURRING CHANNEL CLIP, AND METHOD
OF MOUNTING A FURRING CHANNEL TO
A LOAD BEARING MEMBER**

CROSS-REFERENCE TO RELATED
APPLICATIONS

This application is a Continuation Application of and takes the benefit under 35 U.S.C. § 120 of, application Ser. No. 16/058,586, filed on Aug. 8, 2018, entitled Precursor For A Furring Channel Clip, Furring Channel Clip Formed Therefrom Method Of Making A Furring Channel Clip, And Method Of Mounting A Furring Channel To A Load Bearing Member, which is turn is a Continuation Application of and takes the benefit under 35 U.S.C. § 120 of, application Ser. No. 15/641,730 filed on Jul. 5, 2017, entitled Precursor For A Furring Channel Clip, Furring Channel Clip Formed Therefrom, Method Of Making A Furring Channel Clip, And Method Of Mounting A Furring Channel To A Load Bearing Member, now U.S. Pat. No. 10,060,460, whose disclosures are specifically incorporated in their entirety by reference herein and which application is assigned to the same assignees as this invention.

STATEMENT REGARDING FEDERALLY
SPONSORED RESEARCH OR DEVELOPMENT

Not Applicable

INCORPORATION-BY-REFERENCE OF
MATERIAL SUBMITTED ON A COMPACT
DISK

Not Applicable

FIELD OF THE INVENTION

The disclosed invention relates to clips and more particularly to clips for suspending furring channels from load-bearing members, e.g., joists of a building.

BACKGROUND OF THE INVENTION

Various types of furring channels are disclosed in the prior art and commercially available for securing a structural element, e.g., plywood, composite-board, sheetrock, etc., to it to form a ceiling for a building. Such furring channels are configured so that they are mountable on a load bearing member, such as a joist. To that end clips are commonly provided. One such clip is the Metal Furring Channel Clip (MFCC), sold by Clarkwestern Dietrich Building Systems, LLC for mounting a hat-shaped furring channel to furr out ceiling assemblies. That clip is particularly constructed for use with a t1½" cold rolled channel. That channel is commonly used as a joist and is of a general C-shape having a generally planar top wall, a generally planar bottom wall, and a generally planar sidewall connecting corresponding sides of the top and bottom walls.

Another type of furring channel is a U-shaped member having bottom wall and a pair of spaced-apart sidewalls projecting upward from the bottom wall. Each of the sidewalls terminates at a somewhat narrow inwardly directed, downward angled flange having a free edge. The free edges of the inwardly directed flanges are spaced apart by a width

2

that is less than the width separating the sidewalls. The MFCC of Clarkwestern Dietrich Building Systems, LLC is not suitable for mounting that type of furring channel to a t1½" cold rolled load-bearing member. Thus, a need exists for a clip that can be used to mount or suspend that type of furring channel from a load-bearing member, be it a t1½" cold rolled load-bearing member or some other elongated load-bearing member having an upper surface on which the clip can be disposed. Moreover, a need exists for a precursor for a clip, wherein the precursor is in the form of a flat blank or sheet of material of a desired profile and which can be readily folded on site by a user to form the clip. The present invention addresses that need. In addition, the precursor and clip enable one to make use of methods of this invention to readily form the clip and readily attach it to the load-bearing member and to the furring channel to mount the furring channel on the load-bearing member

SUMMARY OF THE INVENTION

One aspect of this invention is a clip for mounting a furring channel to a load-bearing member. The load-bearing has a top surface of a first width. The furring channel is a hollow member having a bottom wall and a pair of sidewalls spaced apart by a second width and projecting upward from the bottom wall. Each of the sidewalls terminates at an inwardly directed flange having a free edge. The free edges of the inwardly directed flanges are spaced apart by a third width that is less than the second width. The clip is a generally U-shaped member that comprises a top wall configured to be disposed on the top surface of the load-bearing member, and a pair of sidewalls extending downward from the top wall. Each of the sidewalls has a side edge. Each of the side edges includes a tab projecting outward therefrom. Each of the tabs includes an inclined undersurface, a top surface, and a side edge surface. The side edge surfaces of the tabs of each of the sidewalls are spaced apart by slightly less than the second width. Respective ones of the inclined undersurfaces of the tabs are configured to slide over respective ones of the inwardly directed flanges of the furring channel to cause the sidewalls of the furring channel to flex outward, whereupon the tabs snap-fit between the sidewalls of the furring channel, with respective flanges of the furring channel being disposed on the top surface of respective tabs of the load-bearing member.

In accordance with one preferred aspect of the clip of this invention each of the flanges projects downward at an acute angle to the sidewall of the furring channel from which it projects to form a cam upper surface on each of the flanges.

In accordance with another preferred aspect of the clip of this invention the inclined undersurface of each of the tabs is convex and serves as a cam surface configured to slide with respect to the cam surface of a respective one of the tabs of the furring channel to effect the snap-fitting of the tabs between the sidewalls of the furring strip.

In accordance with another preferred aspect of the clip of this invention the top surface of each of the tabs is convex.

In accordance with another preferred aspect of the clip of this invention the sidewalls of the clip are spaced from each other by the first width.

In accordance with another preferred aspect of the clip of this invention the top wall is in the form of two bridging strips.

In accordance with another preferred aspect of the clip of this invention the clip is formed of metal.

Another aspect of this invention is a precursor for a clip for mounting a furring channel to a load-bearing member.

3

The load-bearing member has a top surface of a first width. The furring channel is a hollow member having a bottom wall and a pair of sidewalls spaced apart by a second width and projecting upward from the bottom wall. Each of the sidewalls terminates at an inwardly directed flange having a free edge. The free edges of the inwardly directed flanges are spaced apart by a third width that is less than the second width. The precursor is a generally planar sheet comprising a first panel, a second panel and at least one intermediate panel. The first panel has an end edge, a pair of side edges, and a fold line. The fold line extends parallel to the end edge of the first panel. Each of the side edges of the first panel includes a tab projecting outward therefrom. Each of the tabs of the first panel includes an inclined undersurface and a top surface. The second panel has an end edge, a pair of side edges, and a fold line. The fold line extends parallel to the end edge of the second panel. Each of the side edges of the second panel includes a tab projecting outward therefrom. Each of the tabs of the second panel includes an inclined undersurface and a top surface. The at least one intermediate panel is interposed between the fold lines of the first and second panels. The first and second panels are configured to be folded along the fold lines into a generally U-shaped load-bearing clip to enable the at least one intermediate panel to be disposed on the top surface of the load-bearing member, with the tabs of the first and second panels configured to be snap-fit under respective portions of the flanges of the furring channel.

In accordance with one preferred aspect of the precursor the at least one intermediate panel comprises a pair of bridging strips spaced apart from each other.

In accordance with another preferred aspect of the precursor the generally planar sheet includes an upper surface and an undersurface surface, and wherein the fold lines comprise very shallow grooves in at least one of the upper surface and the under surface.

In accordance with another preferred aspect of the precursor the generally planar sheet includes an upper surface and an undersurface surface, and wherein the fold lines comprise very shallow grooves in at least one of the upper surface and the under surface.

In accordance with another preferred aspect of the precursor each of the side edges includes an angled edge portion. Each of the angled edges portion being located immediately adjacent a respective one of the fold lines.

In accordance with another preferred aspect of the precursor the top surface of each of the tabs is convex.

In accordance with another preferred aspect of the precursor each of the tabs includes a side edge surface, with the side edge surfaces of the tabs of each of the sidewalls being spaced apart by slightly less than the second width.

In accordance with another preferred aspect of the precursor the sheet is formed of metal.

Another aspect of this invention is a method of forming a clip for mounting a furring channel to a load-bearing member having a top surface. The method comprises providing precursor of the clip. The precursor is a generally planar sheet comprising a first panel, a second panel, and at least one intermediate panel. The first panel has an end edge, a pair of side edges, and a fold line. The fold line extends parallel to the end edge of the first panel. Each of the side edges of the first panel includes a tab projecting outward therefrom. Each of the tabs of the first panel includes an inclined undersurface and a top surface. The second panel has an end edge, a pair of side edges, and a fold line. The fold line extends parallel to the end edge of the second panel. Each of the side edges of the second panel includes a tab

4

projecting outward therefrom. Each of the tabs of the second panel includes an inclined undersurface and a top surface. The at least one intermediate panel is interposed between the fold lines of the first and second panels. The sheet of material is folded along the fold lines to bring the first and second panels parallel to each other to form a generally U-shaped load-bearing clip configured to enable the at least one intermediate panel to be disposed on the top surface of the load-bearing member.

Still another aspect of this invention is a method of mounting a furring channel to a load-bearing member having a top surface of a first width. The furring channel is a hollow member having a bottom wall and a pair of sidewalls spaced apart by a second width and projecting upward from the bottom wall. Each of the sidewalls terminates at an inwardly directed flange having a upper surface and a free edge. The free edges of the inwardly directed flanges are spaced apart by a third width that is less than the second width. The method comprises providing a clip. The clip is a generally U-shaped member comprising a top wall and a pair of side walls. The top wall is configured to be disposed on the top surface of the load-bearing member. The pair of sidewalls extends downward from the top wall. Each of the sidewalls has a side edge. Each of the side edges includes a tab projecting outward therefrom. Each of the tabs includes an inclined undersurface, a top surface, and a side edge surface. The side edge surfaces of the tabs of each of the sidewalls are spaced apart by slightly less than the second width. Respective ones of the inclined undersurfaces of the tabs are configured to slide over respective ones of the inwardly directed flanges of the furring channel to cause the sidewalls of the furring channel to flex outward. The clip is disposed on the load-bearing member with the top wall disposed over the top surface of the load bearing member. The tabs of one of the side edges of the pair of sidewalls are inserted under one of the inwardly directed flanges of the furring channel. The clip is oriented with respect to the furring channel so that the inclined undersurface of the tabs of the other of the side edges of the pair of sidewalls is disposed and slides over the upper surface of the other of the inwardly directed flanges to cause the sidewall from which the other flange projects to flex outward, whereupon the tabs of the other of the side edges of the pair of sidewalls snap-fit under the other flange. This action completes the connection of the furring channel to the load-bearing member by the clip.

BRIEF DESCRIPTION OF THE DRAWING FIGURES

FIG. 1 is an isometric view of the clip constructed in accordance with this invention for mounting and connecting a furring channel under an elongated load-bearing member, e.g., a metal U-shaped joist;

FIG. 2 is a plan view of a precursor sheet which is configured such that it can be readily folded to produce the clip of FIG. 1;

FIG. 3 is an enlarged sectional view taken along lines 3-3 of FIG. 2;

FIG. 4 is an isometric view of the clip of FIG. 1 being shown in place after it has connected a conventional U-shaped metal furring channel having an opposed pair of sidewall, each of which includes an inwardly projecting downwardly angled flange, to a conventional C-shaped joist;

FIG. 5 is an illustration of an initial step in the process of connecting the clip of FIG. 1 to the furring channel of FIG. 4, after the clip has been disposed on the C-shaped joist,

5

wherein tabs on one side of the clip are inserted under the downwardly angled flange at one of the sidewalls of the furring channel;

FIG. 6 is an illustration, similar to FIG. 5, but showing a subsequent step in the process of connecting the clip of FIG. 1 to the furring channel, wherein tabs on the other side of the clip are starting to cause the other sidewall of the furring channel to flex outward so that those tabs may be snap-fit under the flange of that other sidewall;

FIG. 7 is an illustration, similar to FIGS. 4 and 5, but showing a the clip in its final position snap-fit within the furring channel; and

FIG. 8 is an illustration of the interior of a static structure wherein a plurality of joists (like shown in FIG. 4) are suspending a plurality of furring channels (like shown in FIG. 4) using a plurality of clips constructed in accordance with this invention.

DETAILED DESCRIPTION OF THE PREFERRED EMBODIMENTS

Referring now to the drawings wherein like characters refer to like parts there is shown at 20 in FIG. 1 one exemplary embodiment of a clip constructed in accordance with this invention for mounting and connecting a furring channel to a load bearing member, such as a ceiling joist. The clip 20 is a generally U-shaped member configured so that it can be readily formed (folded) from a planar precursor sheet 22 at a construction site immediately before it is to be used or formed at some other location any time before the clip is to be used.

The precursor sheet is shown in FIG. 2, and will be described in detail shortly. Suffice for now to state that it is a generally planar member having a profile which defines a first sidewall of the clip, a second sidewall of the clip, and at least one intermediate bridging member interposed between the first and second sidewalls. The interface of the first and second sidewalls to the at least one intermediate bridging member is in the form of respective fold lines. Accordingly, a user can readily fold the precursor sheet along the fold lines to produce the clip 20.

As best seen in FIG. 1, the clip basically comprises a pair of sidewalls 24 and 26 formed by respective panels of the precursor sheet, and a pair of bridging strips 28 and 30 formed by respective portions of the precursor sheet. The precursor sheet may be formed of any suitable material, which is sufficiently strong to support a furring channel and the structural element(s) that will be secured to the furring channel. One particularly suitable material, is steel.

As can be seen in FIG. 2 the panel portion of the precursor sheet 22 forming the sidewall 24 of the clip 20 includes a first side edge 32, a second side edge 34, a top edge 36 and a bottom edge 38. The panel portion of the precursor sheet 22 forming the sidewall 26 includes a first side edge 40, a second side edge 42, a top edge 44 and a bottom edge 46. The first side edge 32 of the sidewall 24 is aligned with the first side edge 40 of the sidewall 26. In a similar manner the second side edge 34 of the sidewall 24 is aligned with the second side edge 42 of the sidewall 26. The junction of the side edge 32 and the bottom edge 38 of the sidewall 24 is in the form of an outwardly projecting wing or tab 48. The tab 48 includes a convex, curved undersurface 50, a convex top surface 52 and an intermediate side edge surface 54. The convex top surface 52 merges with the first side edge 32 by a concave surface 56. In a similar manner, the junction of the side edge 34 and the bottom edge 38 of the sidewall 24 is in the form of an outwardly projecting wing or tab 48. That tab

6

48 includes a convex, curved undersurface 50, a convex top surface 52 and an intermediate side edge surface 54. The convex top surface 52 merges with the second side edge 34 by a concave surface 56. The sidewall 26 also includes projecting wings or tabs 48. In particular, the junction of the side edge 40 and the bottom edge 46 of the sidewall 26 is in the form of an outwardly projecting wing or tab 48. That tab 48 includes a convex, curved undersurface 50, a convex top surface 52 and an intermediate side edge surface 54. The convex top surface 52 merges with the first side edge 40 by a concave surface 56. In a similar manner, the junction of the side edge 42 and the bottom edge 46 of the sidewall 26 is in the form of an outwardly projecting wing or tab 48. That tab 48 includes a convex, curved undersurface 50, a convex top surface 52 and an intermediate side edge surface 54. The convex top surface 52 merges with the second side edge 42 by a concave surface 56.

The panel portions of the precursor sheet forming the bridging strips 28 and 30 are configured as follows. One end of the bridging strip 28 merges with the sidewall 24 along a fold line 58 which is aligned with the top edge 36 of that sidewall. The fold line 58 is in the form of a very shallow linear groove 60 (FIG. 3) in the top surface of the sheet making up the clip. Alternatively, the very shallow linear groove forming the fold line 58 could be in the undersurface of the sheet making up the clip, or could be in both of the top surface and undersurface of the sheet making up the clip. In any case the groove 60 is provided to reduce the thickness of the sheet at the fold line, so that the sheet can be readily and accurately folded along that line to form the clip. One end of the other bridging strip 30 merges with the sidewall 24 along another, and identical, fold line 58, which is also aligned with the top edge 36 of the sidewall 24. In a similar manner the opposite end of the bridging strip 28 merges with the sidewall 26 along a fold line 62, the fold line 62 is aligned with the top edge 44 of that sidewall and is also in the form of a very shallow linear groove 60 in the top surface of the sheet making up the clip. Alternatively, the very shallow linear groove forming the fold line 62 could be in the undersurface of the sheet making up the clip, or could be in both of the top surface and undersurface of the sheet making up the clip. In any case the groove is provided to reduce the thickness of the sheet at the fold line 62, so that the sheet can be readily and accurately folded along that line to form the clip. One end of the other bridging strip 30 merges with the sidewall 26 along another, and identical, fold line 62, which is also aligned with the top edge 44 of the sidewall 26.

The side edge 32 of the sidewall 24 contiguous with the fold line 58 at the bridging strip 28 is in the form of an angled cut 64. Similarly, the side edge 34 of the sidewall 26 contiguous with the fold line 58 at the bridging strip 30 is in the form of an angled cut 64. The side edge 40 of the sidewall 26 contiguous with the fold line 62 at the bridging strip 28 is also in the form of an angled cut 64. Similarly, the side edge 42 of the sidewall 26 contiguous with the fold line 62 at the bridging strip 30 is in the form of an angled cut 64.

The precursor sheet 22 as described above can be readily formed into the clip 20 by merely folding the two panel portions of the sheet which define the sidewalls 24 and 26 along the fold lines 58 and 62 so that those two portions confront each other and are parallel to each other. In accordance with one preferred aspect of this invention, the two bridging strips 28 and 30 are of the same length, so that when the panel portions of the precursor sheet forming the sidewalls 24 and 26 are folded towards each other along their fold lines 58 and 62 they will be separated by a

predetermined distance or width. That predetermined width is preferably the width of a top surface of the load-bearing member onto which the clip is to be mounted.

It should be pointed out at this juncture that the two portions of the precursor sheet defining the strips **28** and **30** can be replaced by a single strip, or by more than two strips, depending upon the application that the clip is to be put and the size of the load-bearing member and the size of the furring channel.

It should also be pointed out that while the exemplary embodiment of the clip described above is configured to be folded on-site or before into its U-shape from a planar precursor sheet, that is merely exemplary. Thus, the subject invention contemplates that the clip can be pre-formed. In fact, for some applications it is contemplated that the clip can be stamped into its clip shape. Alternatively, it can be molded so that when removed from the mold it is already in its U-shaped configuration. Hence the clip need not include any foldable portions.

One method of using the clip **20** to mount a furring channel to a load-bearing member will now be described with reference to FIGS. 4-7. In particular, as can be seen the load bearing member **100** is in the form of a conventional t1½" cold rolled C-shaped channel or joist. That channel is an integral body including a planar top wall **102**, a planar bottom wall **104** and a sidewall **106** bridging the top and bottom walls. The top and bottom wall are of the same width. Moreover, in this embodiment the top wall and bottom wall are the same width as the distance separating the top edges of the two sidewalls **24** and **26** of the clip **20**, i.e., the length of the bridging strips **28** and **30**. Thus, when the clip **20** is completely mounted on the joist **100** one sidewall of the clip will confront and engage the outer surface of the sidewall **106** of the joist, with the other sidewall of the clip confronting and engaging the free edges of the top wall **102** and bottom wall **104** of the joist.

The furring channel **200** is in the form of a conventional U-shaped channel having a planar bottom wall **202**, from which a pair of planar sidewalls **204** and **206** project upward, with those sidewalls being parallel to each other and spaced apart by a predetermined distance. The top end of each of the sidewalls is in the form of a narrow inwardly projecting flange. In particular, the sidewall **204** includes a narrow inwardly projecting flange **208**. The flange **208** extends not only inward, but slightly downward at an acute angle towards the bottom wall **202** and terminates in a linear free edge **210**. The slightly downward orientation of the flange **208** results in its top surface **212** being in the form of a cam surface. In a similar manner the sidewall **206** includes a narrow inwardly projecting flange **214**. The flange **214** extends not only inward, but slightly downward at an acute angle towards the bottom wall **202** and terminates in a linear free edge **216**. The slightly downward orientation of the flange **214** results in its top surface **218** being in the form of a cam surface.

With the furring channel **200** supported such that it is located immediately below the joist **100** with the top surfaces of the furring channel's flanges **208** and **214** in engagement with the undersurface of bottom wall **104** of the joist, the clip **20** is ready to connect and mount the furring channel to the joist. To that end, the clip **20** is disposed on the joist **100** by juxtaposing the bottom edges **38** and **46** toward the top wall **102** of the joist and then moving the clip so that the top wall **102** of the joist is interposed between the clip's sidewalls **24** and **26**. The clip **20** is then oriented, e.g., tilted, downward so that the tabs **48** extending from one side edge of the sidewalls **24** and **26**, are located within the

interior of the furring channel and under the one of its flanges. In the illustrations of FIGS. 5-7 the tabs **48** extending from the sidewalls **24** and **26** at the side edges **32** and **40**, respectively, are located within the interior of the furring channel **200** under the flange **208**. The opposite side of the clip **20** is then be pressed and rotated downward, whereupon the curved undersurface **50** of the other two tabs **48** will engage and slide over the cam surface **218** of the flange **214** as shown in FIG. 6. This action will have the effect of flexing or bowing out the portion of the sidewall from which the flange **214** projects. Continued downward movement (rotation) of the clip will cause the curved or cam undersurface **50** of the tabs **48** to slide over the cam surface **218** until the edge portions **54** of those tabs pass the free edge **216** of the flange **214**, whereupon the tabs will snap-fit under the flange. Accordingly the underside of the bridging strips **28** and **30** will engage the top surface of the top wall **102** of the joist, thereby tightly connecting the furring channel to the joist.

Other furring channels can be similarly connected to the joist and to other joists to result in a ceiling mounting system like shown in FIG. 7.

It should be pointed out at this juncture that the clip **20** as described above is merely exemplary. Thus, various changes can be made to portions of it within the context of this invention so long as it includes at least one sidewall with wings or tabs configured to be snap-fit under inwardly projecting flanges of a furring channel. Moreover, while the clip has been disclosed for use with a conventional U-shaped furring channel and C-shaped load-bearing member or joist, it should be clear that the clip of this invention has much broader application. For example, it can be used with any load-bearing member to mount and connect a furring strip below it. Thus, the load-bearing member can be formed of wood, metal, or some other strong material. Moreover the load bearing member can be hollow or solid, and can be of any shape providing it has a top surface upon which the top wall of the clip of this invention can be disposed. So too, the furring channel can take various shapes so long as it includes a pair of inwardly directed flanges, under which the wings or tabs of the subject clip can be snap-fit.

Without further elaboration the foregoing will so fully illustrate my invention that others may, by applying current or future knowledge, adopt the same for use under various conditions of service.

I claim:

1. A clip for mounting a furring channel to a load-bearing member, the load-bearing member having a top surface of a first width, the furring channel being a hollow member having a bottom wall and a pair of sidewalls spaced apart by a second width and projecting upward from the bottom wall, each of said sidewalls terminating at a inwardly directed flange having a free edge, the free edges of the inwardly directed flanges being spaced apart by a third width that is less than the second width, said clip being a generally U-shaped member comprising:

a) a top wall configured to be disposed on the top surface of the load-bearing member, said top wall comprising a first bridging strip and a second bridging strip, each of said bridging strips being continuous between said first and second ends thereof, each of said bridging strips having a first end and a second end, an outside edge and an inside edge, said inside edges of said bridging strips forming sides of an opening located between said bridging strips, said top wall having a predetermined width measured between said outside edges of said bridging strips; and

9

b) a first sidewall and a second sidewall, said first sidewall being connected to and extending downward from said first end of said first bridging strip and being connected to and extending downward from said first end of said second bridging strip, said second sidewall being connected to and extending downward from said second end of said first bridging strip and being connected to and extending downward from said second end of said second bridging strip, each of said sidewalls having a pair of side edges, each of said pair of side edges of said sidewalls having an upper side edge portion and a lower side edge portion, said lower side edge portions of each of said sidewalls being spaced apart by a width greater than said predetermined width of said top wall, said upper side edge portions merging with respective outside edges of respective ones of said first and second bridging strips, said lower side edge of each of said side edges of said sidewalls including a tab projecting outward therefrom, each of said tabs including an inclined undersurface, a top surface, and a side edge surface, said side edge surfaces of said tabs of each of said sidewalls being spaced apart by less than the second width, respective ones of said inclined undersurfaces of said tabs being configured to slide over respective ones of the inwardly directed flanges of the furring channel to cause the sidewalls of the furring channel to flex outward, whereupon said tabs snap-fit between the sidewalls of the furring channel, with respective flanges of the furring channel being disposed on said top surface of respective tabs of said clip and with an undersurface of said first and second bridging strips engaging the top surface of the load bearing member.

2. The clip of claim 1, wherein each of said flanges projects downward at an acute angle to the sidewall of the furring channel from which it projects to form a cam upper surface on each of said flanges.

3. The clip of claim 2 wherein said inclined undersurface of each of said tabs is convex and serves as a cam surface configured to slide with respect to the cam surface of a respective one of the tabs of the furring channel to effect the snap fitting of the tabs between the sidewalls of the furring strip.

4. The clip of claim 3, wherein said top surface of each of said tabs is convex.

5. The clip of claim 1, wherein said sidewalls of said clip are spaced from each other by said first width.

6. The clip of claim 1 wherein each of said upper side edge portions of said sidewalls is an inwardly directed angled edge.

7. The clip of claim 1, wherein said clip is formed of metal.

8. A precursor for a clip for mounting a furring channel to a load-bearing member, the load-bearing member having a top surface of a first width, the furring channel being a hollow member having a bottom wall and a pair of sidewalls spaced apart by a second width and projecting upward from the bottom wall, each of said sidewalls terminating at an inwardly directed flange having a free edge, the free edges of the inwardly directed flanges being spaced apart by a third width that is less than the second width, said precursor comprising:

a) a first panel having an end edge, a pair of side edges, and a fold line, each of said side edges of said first panel including an upper side edge portion and a lower side edge portion, said fold line extending parallel to said end edge of said first panel, each of said lower side edge

10

portions of said first panel being spaced from each other by a predetermined width and having a tab projecting outward therefrom, each of said tabs of said first panel including an inclined undersurface and a top surface;

b) a second panel having an end edge, a pair of side edges, and a fold line, each of said side edges of said second panel including an upper side edge portion and a lower side edge portion, said fold line extending parallel to said end edge of said second panel, each of said lower side edge portions of said second panel being spaced from each other by a predetermined width and having a tab projecting outward therefrom, each of said tabs of said second panel including an inclined undersurface and a top surface; and

c) a pair of bridging strips located between said first and second panels, each of said bridging strips having a first end and a second end, an outside edge and an inside edge, each of said first and second bridging strips being continuous between said first and second ends thereof, said inside edges of said bridging strips forming sides of an opening located between said bridging strips, said outside edges of said bridging strips being a predetermined distance from each other, said predetermined distance being less than said predetermined width of said lower side edge portions of said first and second panels, said first and second panels being configured to be folded along said fold lines into a generally U-shaped load-bearing clip to enable an undersurface of said first and second bridging strips to be disposed on the top surface of the load-bearing member, with the tabs of said first and second panels configured to be snap-fit under respective portions of the flanges of the furring channel.

9. The precursor of claim 8, wherein said precursor includes an upper surface and an undersurface surface, and wherein said fold lines comprise grooves in at least one of said upper surface and said undersurface.

10. The precursor of claim 8, wherein each of said side edges includes an angled edge portion, each of said angled edges portion being located immediately adjacent a respective one of said fold lines.

11. The precursor of claim 8, wherein said top surface of each of said tabs is convex.

12. The precursor of claim 8, wherein, each of said tabs includes a side edge surface, with said side edge surfaces of said tabs of each of said sidewalls being spaced apart by less than the second width.

13. The precursor of claim 8, wherein said sheet is formed of metal.

14. A method of forming a clip for mounting a furring channel to a load-bearing member having a top surface, the furring channel having a bottom, and a pair of sidewalls, each of the sidewalls having an upper end terminating at an inwardly directed flange, said method comprising:

a) providing a precursor of said clip, said precursor comprising:

(1) a first panel having an end edge, a first pair of inwardly directed angled edges, a first pair of side edges, and a first fold line, said first fold line extending parallel to said end edge of said first panel, said first pair of inwardly directed edges being located immediately adjacent said first fold line, said first pair of side edges located below said first pair of inwardly directed angled edges, each of said first pair of side edges including a tab projecting outward

11

- therefrom, each of said tabs of said first panel including an inclined undersurface and a top surface;
- (2) a second panel having an end edge, a second pair of inwardly directed angled edges, a second pair of side edges, and a second fold line, said second fold line extending parallel to said end edge of said second panel, said second pair of inwardly directed edges being located immediately adjacent said second fold line, said second pair of side edges located below said second pair of inwardly directed angled edges, each of said second pair of side edges including a tab projecting outward therefrom, each of said tabs of said second panel including an inclined undersurface and a top surface; and
- (3) two spaced apart continuous bridging strips interposed side by side between said first and second fold lines of said first and second panels; and
- b) folding precursor of said clip along said first and second fold lines to bring said first and second panels parallel to each other to form a generally U-shaped load-bearing clip configured to enable an undersurface of said bridging strips to be disposed on the top surface of the load-bearing member and with said tabs snap-fit under respective portions of the inwardly directed flanges.

15. A method of mounting a furring channel to a load-bearing member having a top surface of a first width, the furring channel being a hollow member having a bottom wall and a pair of sidewalls spaced apart by a second width and projecting upward from the bottom wall, each of said sidewalls terminating at an inwardly directed flange having an upper surface and a free edge, the free edges of the inwardly directed flanges being spaced apart by a third width that is less than the second width, said method comprising:

- a) providing a clip, said clip being a generally U-shaped member comprising:
- (1) a top wall configured to be disposed on the top surface of the load-bearing member, said top wall

12

- comprising two continuous bridging strips separated by an opening therebetween; and
- (2) a pair of sidewalls extending downward from said bridging strips, with each of said sidewalls being connected to said bridging strips, whereupon said opening is located between said sidewalls, each of said sidewalls having a side edge and an inwardly directed angled edge, each of said inwardly directed angled edges merging with a respective one of said bridging strips, each of said side edges extending downward from a respective one of said inwardly directed angled edges and including a tab projecting outward therefrom, each of said tabs including an inclined undersurface, a top surface, and a side edge surface, said side edge surfaces of said tabs of each of said sidewalls being spaced apart by less than the second width;
- b) disposing said clip on said load-bearing member with said top wall disposed over said top surface of said load bearing member;
- c) inserting the tabs of one of said side edges of said pair of sidewalls under one of said inwardly directed flanges of said furring channel; and
- d) orienting the clip with respect to said furring channel so that said inclined undersurface of the tabs of the other of said side edges of said pair of sidewalls is disposed and slides over said upper surface of the other of said inwardly directed flanges to cause the sidewall from which said other flange projects to flex outward, whereupon said tabs of said other of said side edges of said pair of sidewalls snap-fit under said other flange, with an undersurface of said bridging strips engaging the top surface of the load bearing member and with respective flanges of the furring channel being disposed on said top surface of respective tabs of said clip thereby completing the connection of said furring channel to said load-bearing member by said clip.

* * * * *